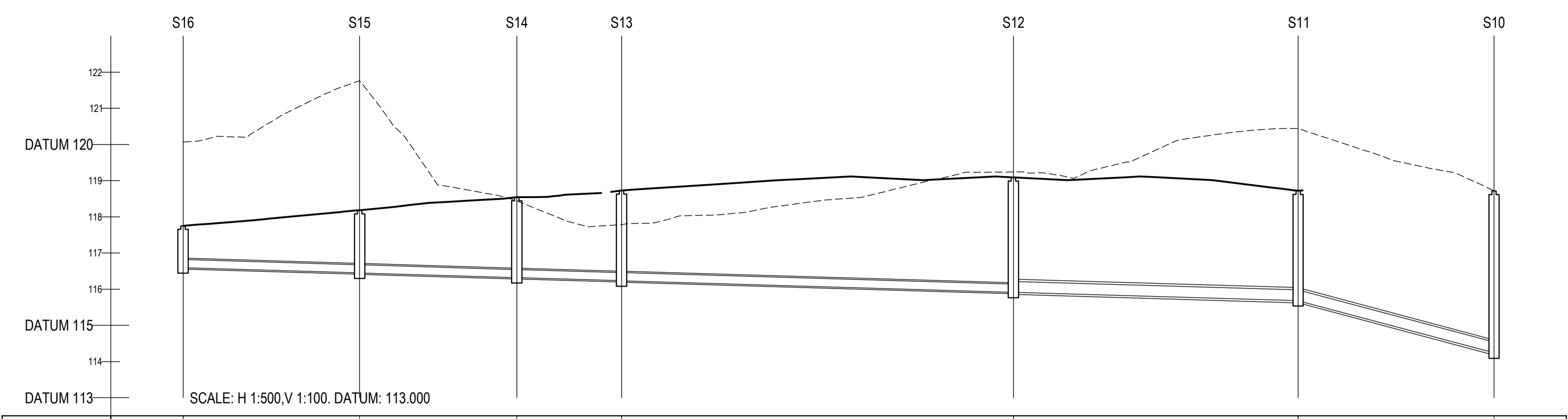
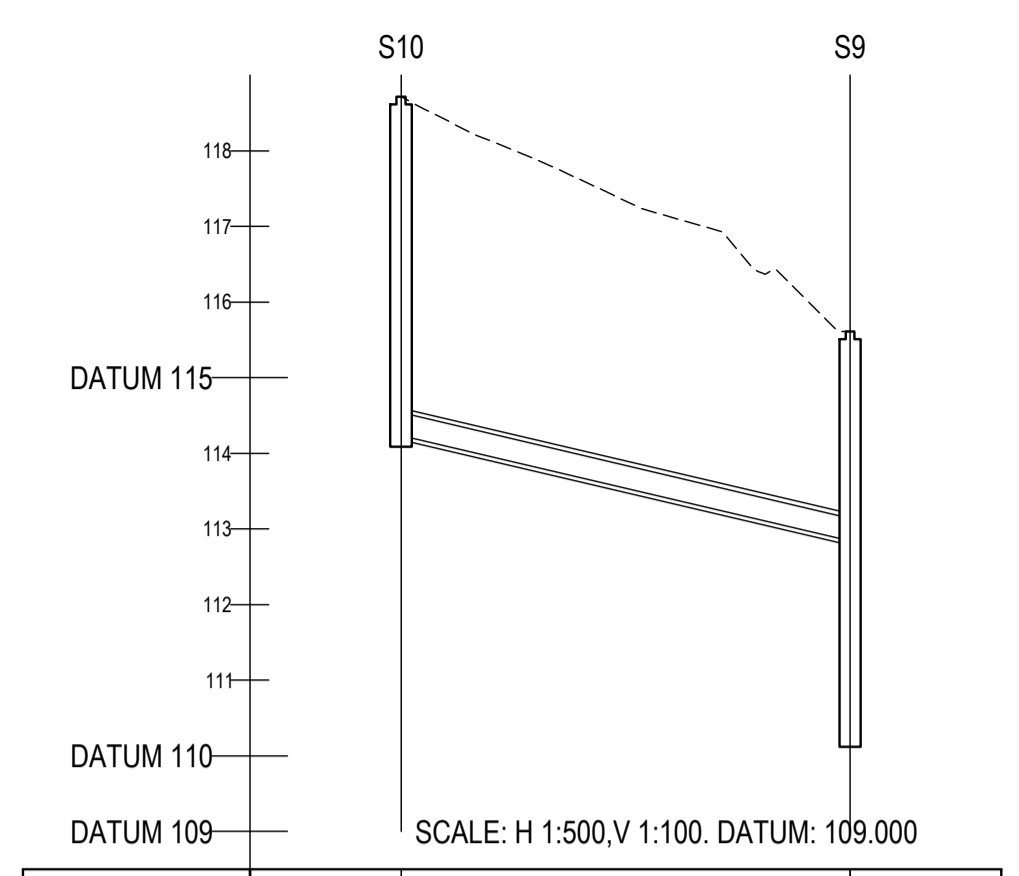


© COPYRIGHT OF THIS DRAWING IS RESERVED BY DBFL CONSULTING ENGINEERS. NO PART SHALL BE REPRODUCED OR TRANSMITTED WITHOUT THEIR WRITTEN PERMISSION.
 NO CHANGES OF WHATSOEVER NATURE ARE TO BE MADE TO ANY DETAILS SET OUT OR CONTAINED IN ANY DBFL SPECIFICATIONS OR DRAWINGS UNLESS THE EXPRESS CONSENT HAS BEEN OBTAINED IN ADVANCE, IN WRITING, FROM DBFL.

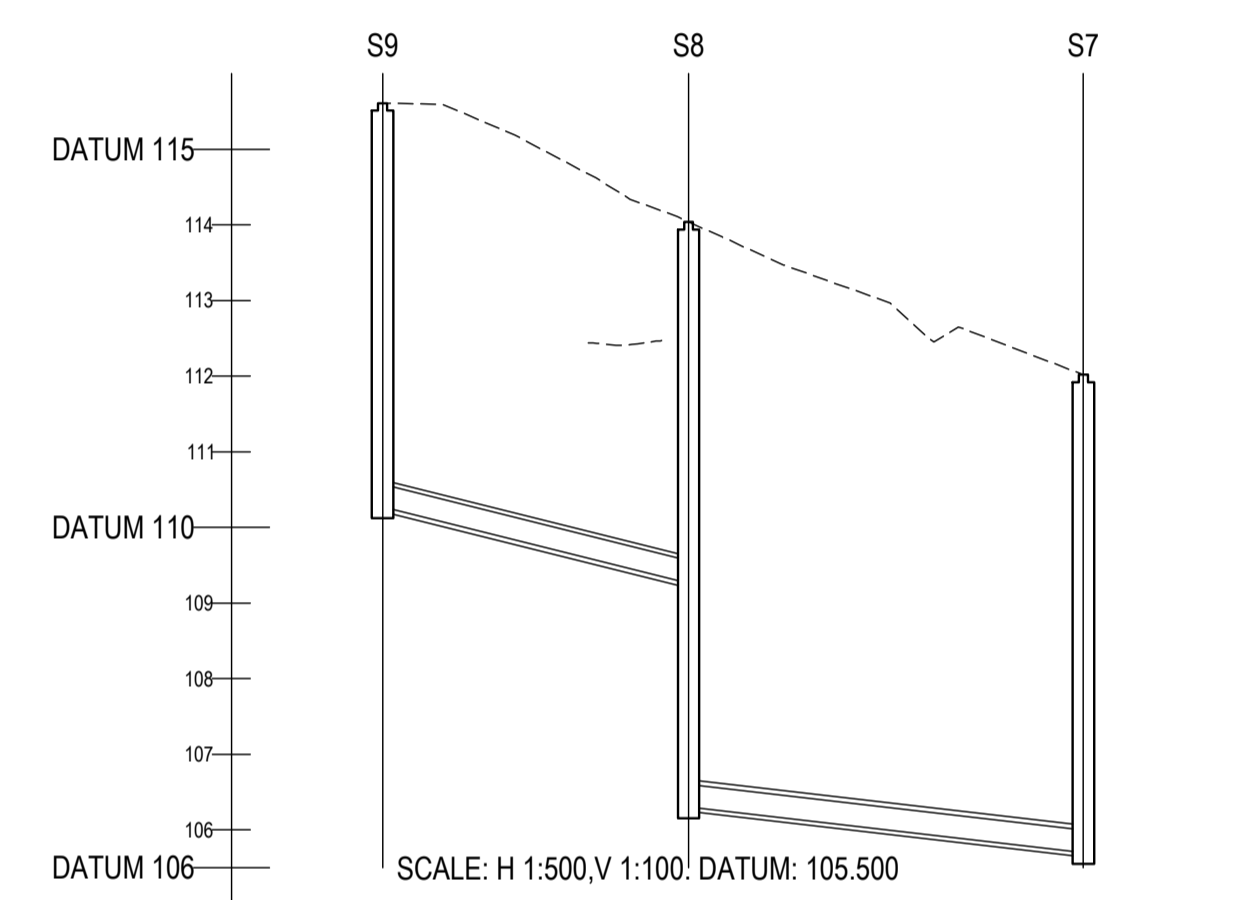
- NOTES:
1. ALL DRAWINGS TO BE CHECKED BY CONTRACTOR ON SITE AND ENGINEER INFORMED OF DISCREPANCIES BEFORE WORK COMMENCES
 2. ALL LEVELS ARE IN METRES AND ARE RELATED TO ORDNANCE DATUM
 3. CONTRACTOR SHALL SATISFY HIMSELF AS TO THE ACCURACY OF PAVEMENT LEVELS ON SITE PRIOR TO COMMENCEMENT OF WORKS ON SITE
 4. ALL WORKS TO BE CONSTRUCTED IN ACCORDANCE WITH THE NRA SPECIFICATION FOR ROAD WORKS UNLESS NOTED OTHERWISE
 5. THIS DRAWING IS FOR PLANNING PURPOSES ONLY
 6. MANHOLE COVER LEVELS ARE TO CONFORM WITH FINISHED ROAD AND PATH LEVELS
 7. WHERE COVER TO PIPE IS LESS THAN 100mm (ROAD/PATH/VERGE) OR 900mm (OPEN SPACE) SURROUND PIPE IN MINIMUM 150mm CONCRETE



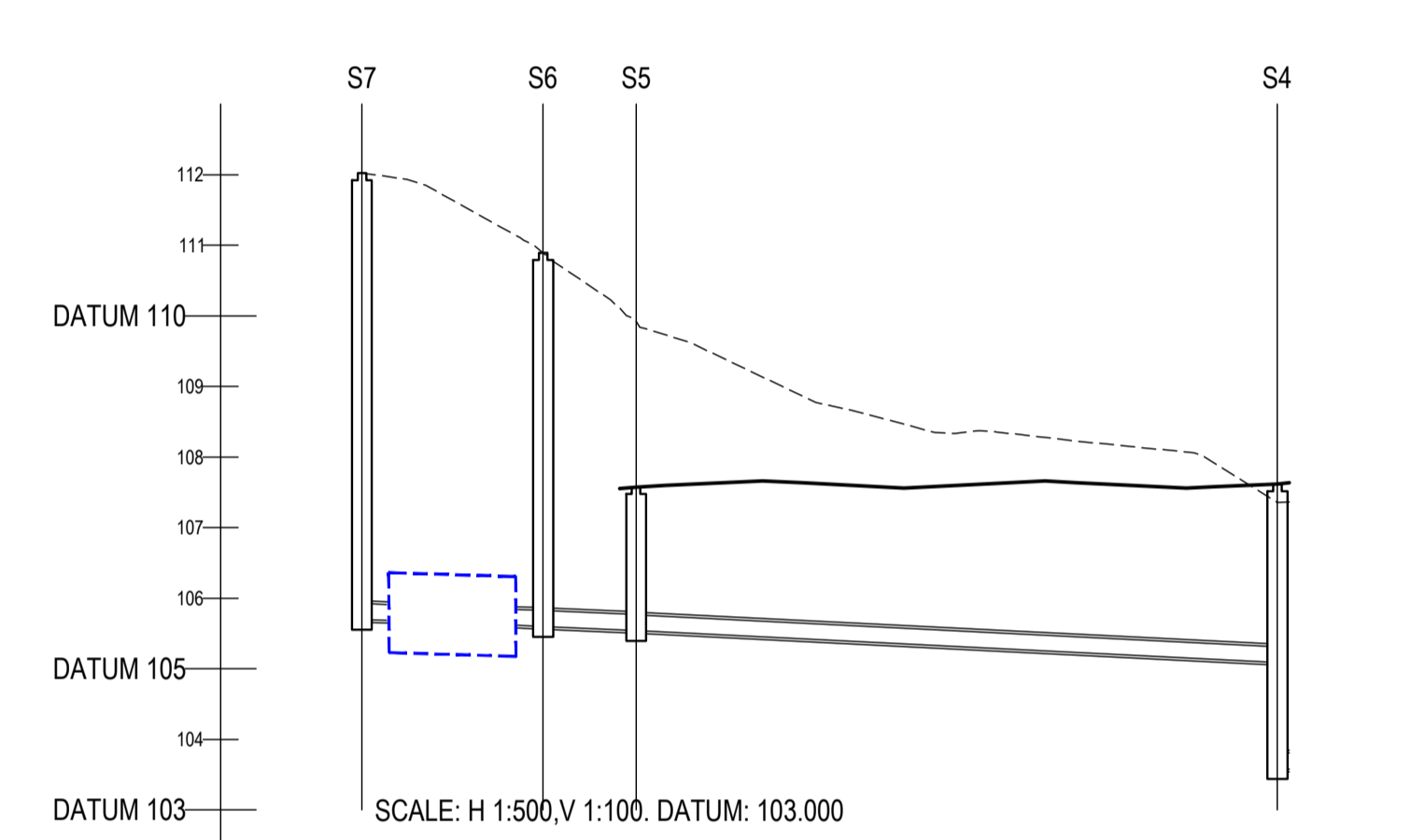
	S16	S15	S14	S13	S12	S11	S10
COVER LEVEL	117.95	118.81	118.544	118.20	118.89	118.72	118.715
INVERT LEVEL	116.96	116.449	116.319	116.234	115.915	115.683	114.238
DEPTH (m)	1.00	1.32	2.23	2.48	3.175	3.038	4.477
DISTANCE (m)		24.40	21.72	14.48	54.16	39.34	29.70
PIPE SLOPE		1:167	1:167	1:170	1:170	1:170	1:19
PIPE SIZE		225mm	225mm	225mm	225mm	300mm	300mm



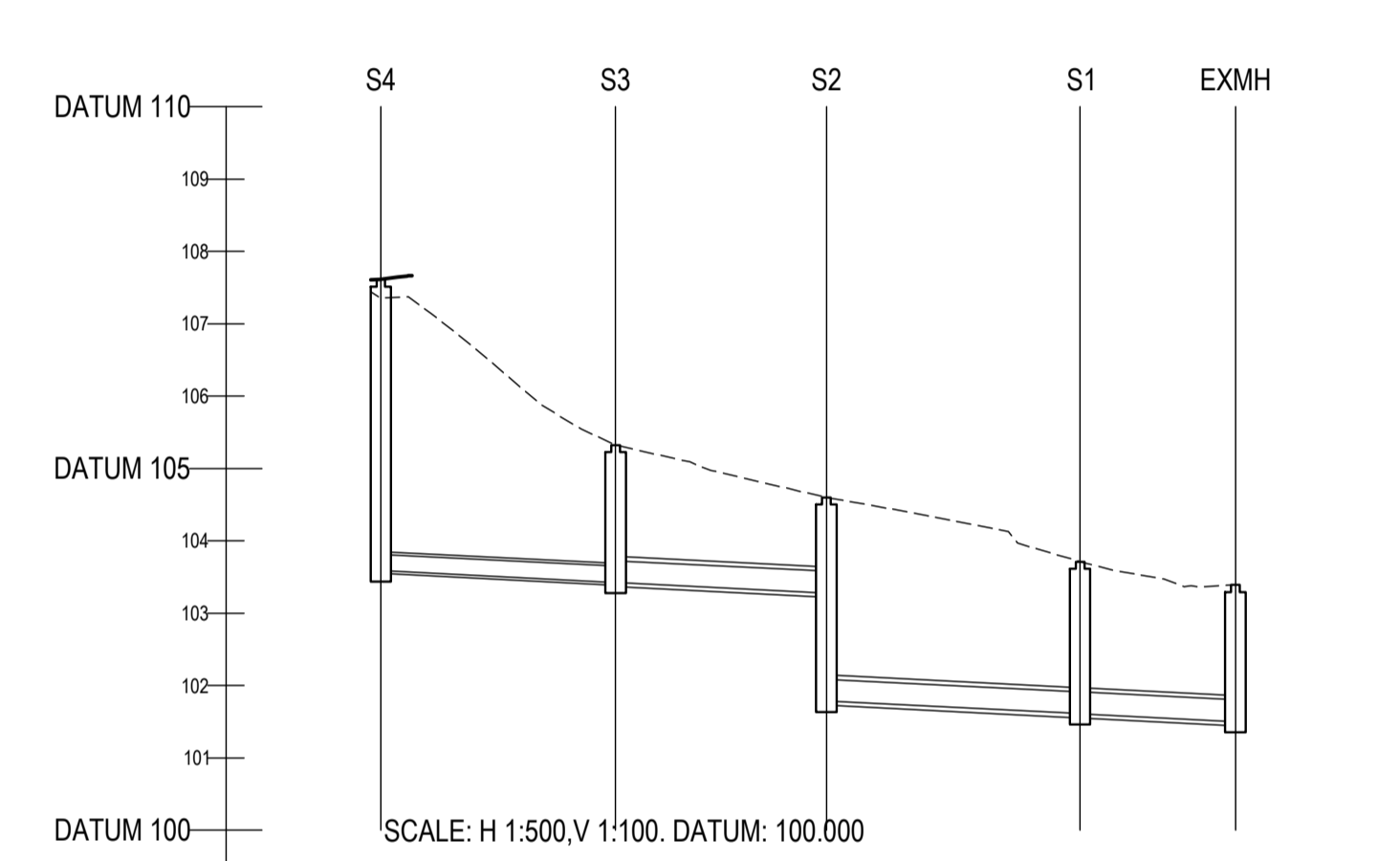
	S10	S9
COVER LEVEL	118.715	118.61
INVERT LEVEL	114.238	112.943
DEPTH (m)	4.477	5.341
DISTANCE (m)		29.70
PIPE SLOPE		1:21
PIPE SIZE		300mm



	S9	S8	S7
COVER LEVEL	115.611	114.042	112.020
INVERT LEVEL	109.270	106.303	105.700
DEPTH (m)	5.341	7.737	6.320
DISTANCE (m)		20.23	26.10
PIPE SLOPE		1:20	1:43
PIPE SIZE		300mm	300mm

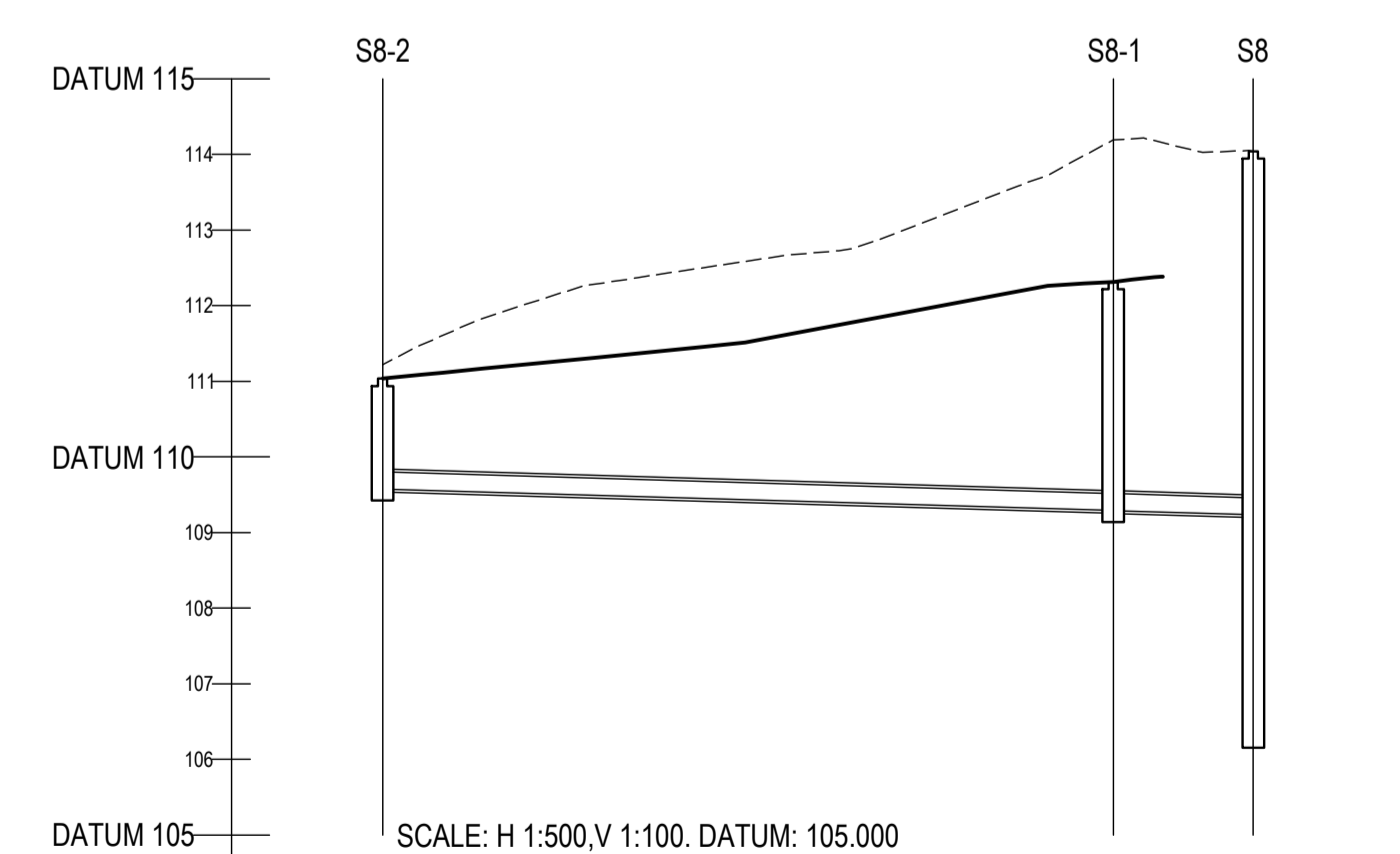


	S7	S6	S5	S4
COVER LEVEL	112.020	108.883	108.883	107.614
INVERT LEVEL	105.700	105.615	105.615	103.368
DEPTH (m)	6.320	3.368	3.268	4.026
DISTANCE (m)	8.7	9.05	6.59	45.41
PIPE SLOPE	1:128	1:129	1:128	1:100
PIPE SIZE	225mm	225mm	225mm	225mm



	S4	S3	S2	S1	EXMH
COVER LEVEL	107.614	105.324	104.600	103.711	103.388
INVERT LEVEL	103.588	103.425	101.795	101.610	101.500
DEPTH (m)	4.026	1.899	2.805	2.101	1.888
DISTANCE (m)	45.41	16.23	14.59	10.75	
PIPE SLOPE	1:100	1:100	1:100	1:98	
PIPE SIZE	225mm	225mm	300mm	300mm	300mm

KEY
 - - - - - EXISTING GROUND PROFILE
 _____ PROPOSED GROUND PROFILE



	S8-2	S8-1	S8
COVER LEVEL	111.024	112.315	114.042
INVERT LEVEL	109.575	109.290	109.295
DEPTH (m)	1.459	3.025	7.737
DISTANCE (m)		48.32	9.25
PIPE SLOPE		1:170	1:171
PIPE SIZE		225mm	225mm

rev	date	description	by	chkd.
		A - Approved		
		B - Approved with comments		
		C - Do not use		

suitability: SO - WORK IN PROGRESS | issue purpose: PLANNING

DBFL Consulting Engineers
 Civil, Structural & Transportation Engineering
 www.dbfl.ie

DUBLIN OFFICE: Ormond House, Upper Ormond Quay, Dublin 7. D07 W7X4
 PHONE: +353 1 456 4300
 CORK OFFICE: 14 South Mall, Cork, T12 CT91
 PHONE: +353 21 2024538
 WATERFORD OFFICE: Suite 10 The Atrium, Maritime Gate, Canada Street, Waterford, X91 WQ28
 PHONE: +353 51 309 500

project ref:
**WHITE PINES CENTRAL
 RESIDENTIAL DEVELOPMENT**

drawing title:
SURFACEWATER LONGSECTION

client:
ARDSTONE HOMES

designed by	author	scale	sheet size
SPB	###	AS SHOWN	A1
drawing no.		revision	
190004-DBFL-CS-SP-DR-C-3001		P0	